

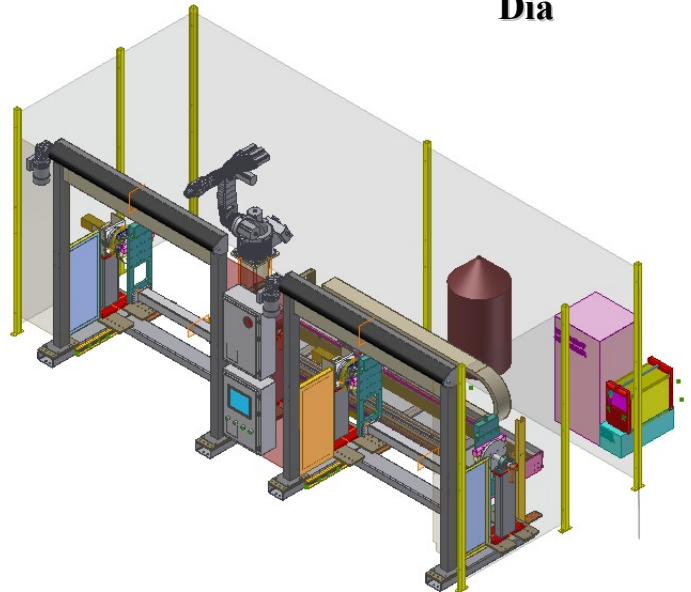
## **RobUST Kuka InLine Dual Head & Tail Stock Welding System**

RobUST pre-engineered welding systems incorporates industry leading technology from Kuka Robotics and Fronius USA into a modular designed robotic cell. The RobUST cell goes beyond previous offerings and is the first system that factors in all challenges with manufacturers today and meets industrial guidelines. The RobUST system offers a complete workflow solution, *addresses floor space, low and high volume fabricator, quick change tooling options, and modular wiring over field bus.*

### Standard Cell Features/Advantages

- Kuka (6) Axis Welding Robot
- 1400mm Reach
- Optional 1900mm Reach Robot
- Device Net
- **Modular** Cell Configuration
- (2) Welding Stations 1800mm Length
- (2) High speed Roll Up Doors (Opens/Closes 2 secs)
- **Meets ANSI/RIA R15.06-1999 Safety Standards**
- (2) **Robotic Servo Work Positioners**
  - 500/750/1000kg Servo Head/Tail Stock
  - 1400mm Swing Diameter
- **MTBF** 80,000 Hours on robot and controller  
*10,000 & 20,000 hour maintenance intervals*
  - *Single point power drop for all electricals*
- **Kuka Robot Controller (KRC)**
  - The KRC robot controller makes programming easier with its Microsoft Windows Interface. It is expandable, can be integrated into networks via a bus, and contains ready-made software packages - all factors which point the way to the industrial automation of the future.

### Tooling & Part Size 32D x 72L x 60 Dia



### Key Welding Cell Advantages

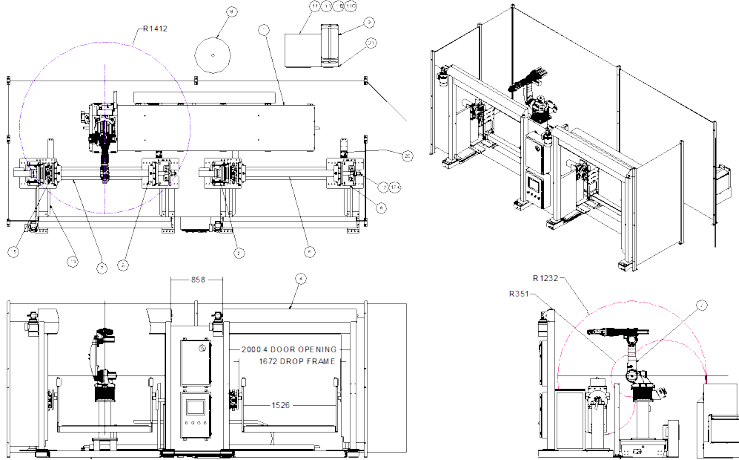
- **Common Base Configuration**
- **Compact Size & Modular** for easy access to load / unloading
- **60 inch swing diameter** on Servo positioner 12 - 15 inches larger than other positioner cells
- **Operator load high** optimized for ergonomics
- **Robot Programming** is accessible from the front or rear of the cell while standing on the floor
- **Quick Change Tooling Option** (15 min to change fixture)
  - *2 methods of quick change tooling*
  - *Quick plug and play on fixture electrical and pneumatics*

### **Fronius** Digital Revolution

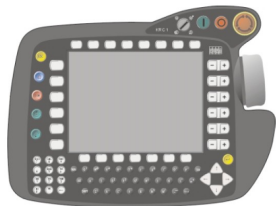
- **400 Amp CV Inverter Welding Power Supply**
  - Mild Steel Fronius TS 4000 (Standard)
  - Stainless steel Fronius TPS 4000 (Optional)
  - Aluminum Fronius TPS 4000 (Optional)
  - TIG & Plasma (Custom Configuration)
- Constant ARC length control
- Most applications on thin gauge material uses .045 welding wire
- Syncro Pulse on Fronius TPS 4000
- **CMT (Cold Metal Transfer MIG Welding)**
  - Cold Metal Transfer Steel/Stainless Steel Aluminum
  - Minimum spatter w/spatter free ignition for penny layer (TIG weld seam appearance)
  - Uses .045 Welding Wire
  - Steel & Aluminum can be welded together
  - Low Thermal Heat Input



## RobUST Kuka InLine Dual Head & Tail Stock Welding System - Configuration & Specifications



Kuka (6) Axis Robot  
1400mm Reach



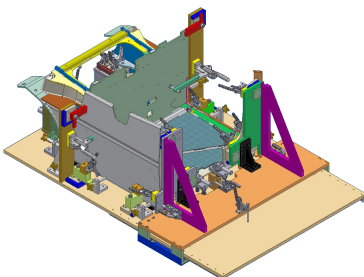
Ergonomically  
Designed - Features an  
8in full-graphics color  
display

### Available Options

- Torch Cleaning Stations
- Fume Extraction & Hoods
- Water Cooled Torch
- Aluminum Welding Packages
- Stainless Steel Welding Packages
- CMT (Cold Metal Transfer MIG)
- Twin Wire Welding Systems
- Touch sensing
- Thru the Arc Tracking
- Field Bus Options
- PLC Packages

### Engineering Services

- Welding Analysis
- Cycle time studies
- Reach Studies
- Tooling & Fixturing Design
- Robotic Programming
- PLC & Safety Controller Programming
- Turnkey Solutions
- On Site Engineering and Technician Services



PARTS LIST			
ITEM	QTY	DESCRIPTION	STANDARD/OPTION
1	1	UST 3.2M PNEUMATIC TRACK WITH RISER	STANDARD
2	1	KUKA KR5 ARC ROBOT	STANDARD
3	1	FRONIUS POWER SUPPLY TS 4000	STANDARD
3A	1	FRONIUS TPS 4000 / CMT HIGHER AMPERAGE, STEEL, STAINLESS STEEL & ALUMINUM AVAILABLE	OPTION
4	2	ROLLUP DOOR W/VISION PANEL	STANDARD
5	2	HEAD STOCK 500 KG CAPACITY	STANDARD
5A	1	HEAD STOCK 750 KG CAPACITY	OPTION
5B	1	HEAD STOCK 1000 KG CAPACITY	OPTION
6	1	TOOLING DROP FRAME DOUBLE	OPTION
7	1	TOOLING DROP FRAME DOUBLE	OPTION
8	2	TAIL STOCK	STANDARD
9	1	BULK WELDING WIRE DRUM	OPTION
10	1	MAIN POWER PANEL	STANDARD
11	1	ROBOT KUKA CONTROLLER	STANDARD
11A	1	ROBOT TEACH PENDANT	STANDARD
11B	2	EXTERNAL SERVO AXIS	STANDARD
11C	1	FIELD BUS CARD D-NET	STANDARD
12	2	400 AMP ROTARY GROUND	STANDARD
12A	2	800 AMP ROTARY GROUND	OPTION
14	1	FRONIUS WIRE FEEDER	STANDARD
15	1	TORCH CLEANING STATION	OPTION
16	1	WIRE FENCE WITH SAFETY DOOR INTERLOCK	STANDARD
17	1	SAFETY PLC/CONTROL PANEL	STANDARD
17A	1	PLC	OPTION
17B	1	HMI	OPTION
18	2	ZONE LIGHT CURTAINS	STANDARD
19	2	FLEXIBLE JOINT CONNECTION	OPTION
20	1	ROBOTIC ZONE LIGHT CURTAIN	STANDARD